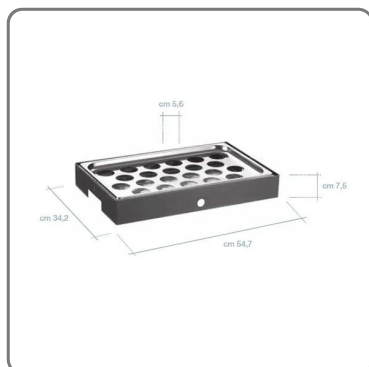


**ACCESSORY REFRIGERATED YOGURT TRAY WITH 22 HOLES**  
diam. cm. 5.5 - without base - CALEIDO



vedi prodotto online

CODICE: 0720094172900  
RCA: PINTINOX BUFFET LINEA CALEIDO



# SOLUZIONI FOODSERVICE

Dimensions: cm. 54.7x34.2 H7.5

This refrigerated yogurt tray is the ideal accessory for breakfast buffets in hotels and restaurants, designed to display and maintain at the right temperature portions of yogurt or other products in single-serving packages.

#### Composition:

- 1 GN PC 1/1 H 65 tray: Made of resistant polycarbonate, this tray offers enough space to hold and refrigerate several packs of yogurt.
  - 1 Perforated Yogurt Tray: Perforated with 22 holes of 5.5 cm in diameter, specially designed to accommodate single-serving yogurt containers, allowing for a tidy and attractive arrangement.
  - 1 PC Perforated False Bottom: Ensures optimal distribution of cold and facilitates the management of liquids, keeping the yogurt containers raised from the bottom of the bowl.
  - 4 Gel Packs (20 x 9.8 cm): Designed to keep the cold inside the tray, they ensure that the yogurt remains fresh throughout the buffet service.
- Refrigerated Functionality: The refrigerated system allows you to keep yogurt and other products fresh throughout the duration of the buffet, ensuring an optimal temperature for storage.
- Ergonomic Design: The specific holes for the yogurt portions allow you to organize and present the product in an orderly manner, making it easier to serve and access for guests.
- High Quality Materials: The polycarbonate basin is resistant and easy to clean, ensuring hygiene and durability over time.
- Versatility: In addition to yogurt, this tray can be used to display other single-serve products, making it a versatile accessory for any breakfast buffet.

This 22-hole refrigerated yogurt tray accessory is perfect for hospitality facilities that want to offer a high quality service, keeping food fresh and well organized.