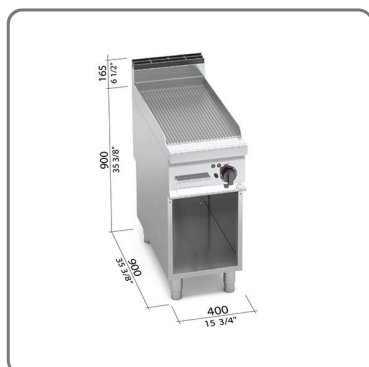


**ELECTRIC GRIDDLE WITH RIBBED PLATE BERTO'S MAXIMA  
900 LINE ON OPEN BASE DIM. cm.  
40x90x90H**

ELECTRIC GRIDDLE WITH RIBBED PLATE BERTO'S MAXIMA 900 LINE ON OPEN BASE - mod. E9FR4M



# SOLUZIONI FOODSERVICE

## Dimensions:

- Width 40 cm
- Depth 90 cm
- Height 90 cm

The Berto's Maxima 900 electric fryer is a professional appliance ideal for uniform cooking of different foods. The high-thickness satin-finish steel ribbed plate is designed to withstand intensive use, ensuring uniform cooking thanks to the Incoloy stainless steel heating elements located under the surface.

## Technical features:

- Material: Worktop and front panels made of AISI 304 stainless steel, interior in stainless steel for maximum durability and hygiene.
- Cooking plate: Full-surface ribbed plate, slightly inclined, with drain hole and conveyor into a special container for collecting liquids.
- Resistances: Incoloy stainless steel electrical resistances guarantee even heat distribution.
- Thermostat: Adjustable temperature control from 50°C to 270°C, equipped with manual reset safety thermostat.
- Indicator lights: Line light and temperature reached light to easily monitor the cooking status.
- Underneath compartment: Large compartment entirely in stainless steel for storing tools or accessories.

Applications: Perfect for restaurants and professional kitchens that require reliable, high-performance equipment.