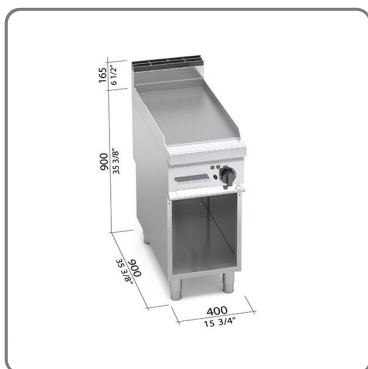


**ELECTRIC GRIDDLE WITH SMOOTH PLATE BERTO'S MAXIMA
900 LINE ON OPEN BASE DIM. cm.
40x90x90H**



SOLUZIONI FOODSERVICE

Dimensions:

- Width 40 cm
- Depth 90 cm
- Height 90 cm

Technical features:

Materials:

- Worktop and front panels in AISI 304 stainless steel
- Stainless steel interior
- Smooth plate in high thickness satin steel

Resistances: Incoloy stainless steel, positioned under the cooking plate

Thermostatic Control:

- Temperature regulation from 50 to 270 °C
- Manual reset safety thermostat

Indicators:

- Line light
- Temperature reached indicator light

Plate Design:

- Full-size smooth plate with flush splash guard
- Slightly inclined cooking surface to facilitate the flow of liquids
- Large drain hole with conveyor into special container

Structure:

- Large compartment completely made of steel
- Open base for easy access and cleaning

This electric fry-top is ideal for professional kitchens that require high performance and excellent durability, offering precise temperature control and easy maintenance thanks to high-quality materials and ergonomic design.