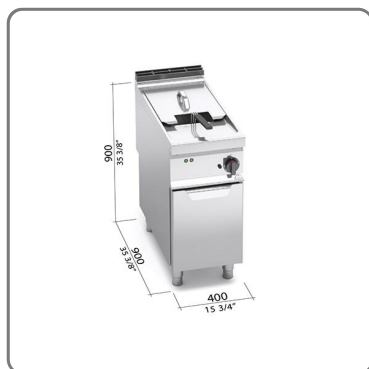


**ELECTRIC FRYER 1 TANK 22 lt. BERTO'S MAXIMA 900
LINE ON CABINET BASE DIM. cm.40x90x90H**



vedi prodotto online



SOLUZIONI FOODSERVICE

Dimensions:

- Width 40 cm
- Depth 90 cm
- Height 90 cm

- Capacity: 22 litres

Construction:

- Structure: Cabinet base with worktop and front panels in AISI 304 stainless steel, ensuring resistance and ease of cleaning.
- Tank: Made of AISI 304 stainless steel, equipped with large rounded edges and a cold zone underneath the heating elements for the decantation of residues.

Resistances:

- Material: Incoloy stainless steel
- Position: Placed directly inside the tub, tiltable into a vertical position to facilitate cleaning operations.
- Safety: Safety device for disconnecting the power supply when the heating elements are in vertical position.

Temperature Control:

- Thermostat: Adjustable from 80 to 190 °C, with sensors placed inside the tank for precise detection.
- Indicator lights: Power light and temperature reached light.

Worktop Design:

- Surface: Top with rounded edges and inclined surface for supporting the baskets, facilitating oil drainage.

Drain Tap:

- Type: Ball valve located inside the compartment, with heat-resistant handle.
- Accessories: Equipped with steel collection basin.

This fryer is designed to offer long life and high efficiency in food preparation, with features that simplify maintenance and ensure operational safety.