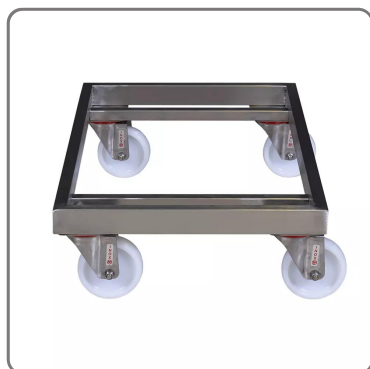


STAINLESS STEEL TROLLEY FOR 100 LT. TANK. WITH STAINLESS STEEL WHEELS



vedi prodotto online



SOLUZIONI FOODSERVICE

CHARACTERISTICS:

- made entirely of Aisi 304 - 18/10 stainless steel
- for containers cm. 77x44.5 H39 - lt. 100
- square tubular structure cm. 2.5x2.5 TIG welded
- stainless steel threaded block welded to the structure for fixing wheels
- wheels diameter cm. 8
- payload kg. 110
- overall dimensions cm. 78.5x48.5 H15

Service trolleys entirely made of Aisi 304 stainless steel.

Fully welded frame, made up of square profiles cm. 2.5x2.5.

4 swivel wheels diameter cm. 8, easily replaceable, fixing with INOX bolt on threaded INOX support welded to the frame.