

INCLINED SLICER SIRMAN PALLADIO 350 --CE PROFESSIONAL--

Single phase 220V

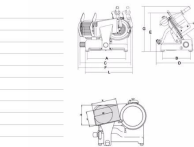


vedi prodotto online



Dettagli Prodotto

PLD350-MN	
Modello/PLD350-MN	
Altezza - mm 350-1000-14	
Potenza - watt 275-150-0,30	
Dimensioni di taglio - mm 23	
Dimensione forata - mm 100	
Spessore - mm 25/20/25	
Articolo 345	
Articolo 346	
Articolo 347	
Articolo 375	
Articolo 380	
Articolo 382	
Articolo 383	
Articolo 384	
Articolo 385	
Articolo 386	
Articolo 387	
Articolo 388	
Articolo 389	
Articolo 390	
Articolo 391	
Articolo 392	
Articolo 393	
Articolo 394	
Articolo 395	
Articolo 396	
Articolo 397	



SIRMAN PALLADIO 350

SOLUZIONI FOODSERVICE

CHARACTERISTICS:

- Rounded line without visible edges and screws.
- Sliding pin, ground chrome.
- Lapped cast iron sliding bushes.
- Bumpers on carriage in vulcanized rubber.
- Removable sail support cover.
- Stainless steel slice deflector with bayonet joint.
- All stainless steel small parts.
- Watertight seal system on pulley.
- 49.5 mm distance between the blade and the head.
- Bottom coverage.
- 1220 V single-phase switchable electronic board.
- Sharpener with lower protection tray.
- Standard blade extractor.
- 35° blade inclination.
- Plastic knobs.
- IP 67 plastic buttons.

TECHNICAL DATA:

- Blade ø mm 350 - inch 14
- 370 watt engine - 0.50 Hp
- Cutting thickness mm.23
- Trolley stroke 310 mm
- Plate 305x270 mm
- Net weight kg.37