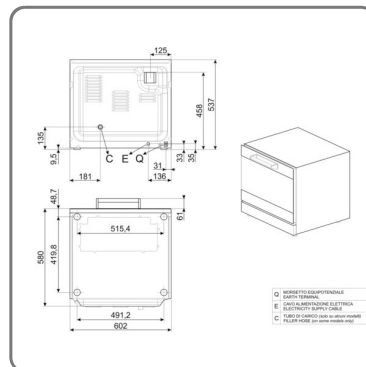


**SMEG CONVECTION ELECTRIC OVEN MOD. ALFA43X - 4 TRAYS INCLUDED - cm.43,5x32 - SINGLE PHASE 230V**



vedi prodotto online

CODICE: **ALFA43X**  
MARCA: **SMEG**



# SOLUZIONI FOODSERVICE

## DIMENSIONS AND TECHNICAL DATA

- Dimensions mm.602X584X537H
- Capacity 4 trays mm.435X320 (included)
- Distance between trays 80 mm.
- Single-phase 230V power supply
- Absorbed power kW 3

## CONSTRUCTION QUALITY

- Stainless steel construction with enamelled cooking chamber
- Door with double glass, insulated with gasket to limit the escape of steam
- Interior lighting

## OPERATING CHARACTERISTICS

- Manual thermostat adjustable from 50°C to 270°C
- Timer adjustment from 1 to 60'
- Ventilated heating system