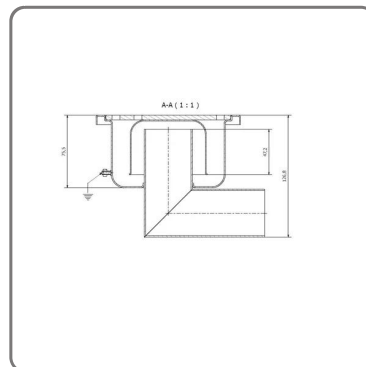


**STAINLESS STEEL MANHOLE TRAP cm.15x15x5x7,5 SIDE
OUTLET**



vedi prodotto online

CODICE: 0210100841550



SOLUZIONI FOODSERVICE

COCKPIT IN STAINLESS STEEL dimensions cm.15x15

DRAIN cm.5X7,5 flow rate lt./min.30

ROSETTE CAPACITY kg.330 (CONCENTRATED LOAD).

REMOVABLE COVER WITH 8 mm RAT-PROOF HOLES

AVAILABLE ACCESSORY: REMOVABLE STAINLESS STEEL BASKET FILTER (article 021050083)

USE:

The manhole cover allows fluids to be discharged in all sectors of the food industry.

The number of manhole covers and ducts must be sufficient to recover waste water, therefore the location must be chosen on the basis of the conception of the rooms and systems. To limit the flow path and the stagnation of dirt as much as possible, the arrangement must be designed for an easy and rapid evacuation of the washing mass, thus also ensuring a more economical use.

MATERIAL:

- AISI 304 stainless steel siphon,
- adaptable to different coatings (tiles, anti-wear cement, resins, PVC)
- antioxidants, anti-rust
- ideal for the food industry
- easy to lay
- different models of rosettes with unified bases for greater adaptability
- class L15 according to UNI EN 1253 standard
- for a correct cleaning it is advisable to dose bleach 12° vol in the portion of 0,5 lt./10 lt. of water
- made in Italy